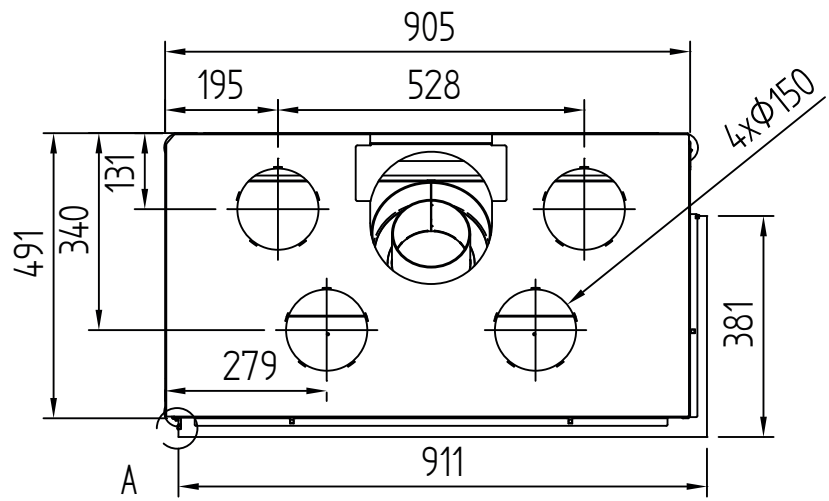


DETAIL A



A